



# PACKOUT™

MODULAR STORAGE SYSTEM

## ROLLING TOOL CHEST

48-22-8428



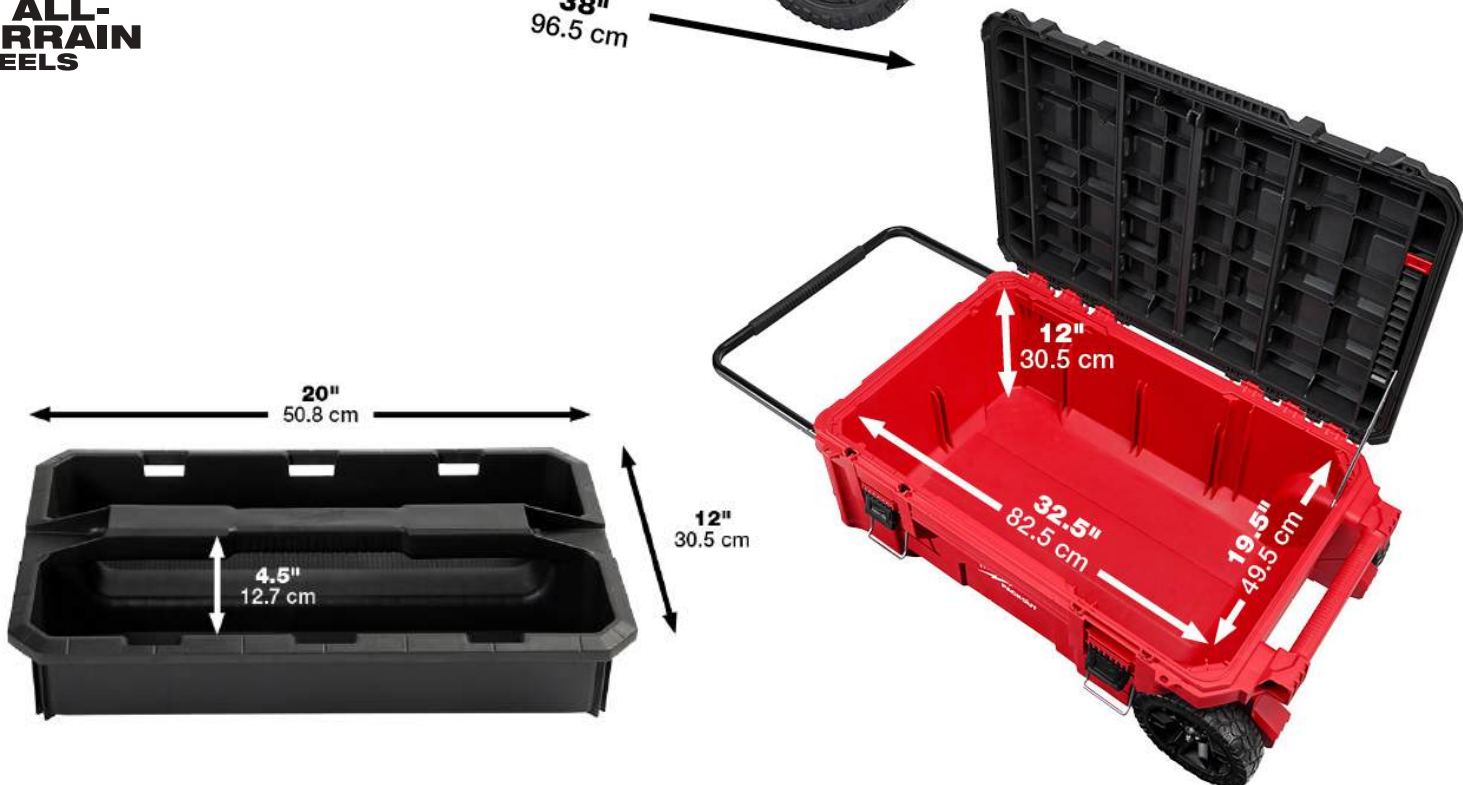
**DUAL  
STACK TOP**



**250 LBS  
CAPACITY**



**9" ALL-  
TERRAIN  
WHEELS**





# PACKOUT™

MODULAR STORAGE SYSTEM

## ROLLING TOOL BOX

48-22-8426



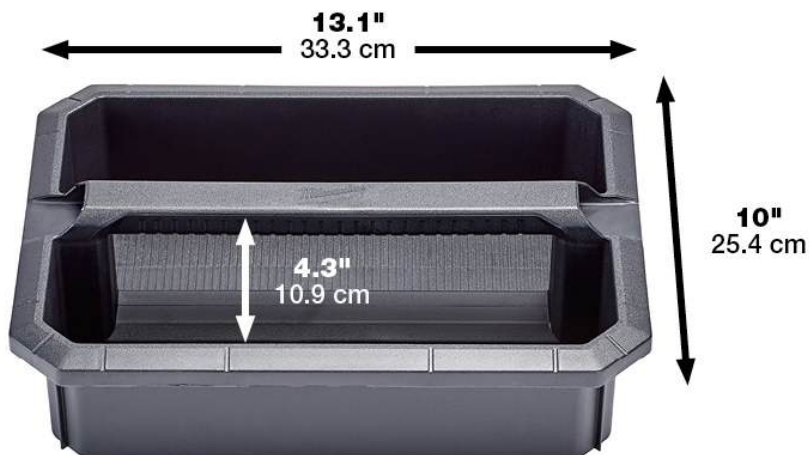
**250 LBS**  
CAPACITY



**IMPACT**  
RESISTANT  
BODY



**MOST**  
DURABLE  
WHEELS



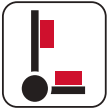


# PACKOUT™

MODULAR STORAGE SYSTEM

## 2-WHEEL CART

48-22-8415



**STACK  
OR HANG**



**400 LBS  
CAPACITY**



**10"  
FLAT-FREE  
WHEELS**

**48"**  
121.9 cm



**48"**  
121.9 cm





# PACKOUT™

MODULAR STORAGE SYSTEM

## DOLLY

48-22-8410



**250 LBS**  
CAPACITY



**QUICKSTOP™**  
LOADING LEVER



**SMOOTH**  
**ROLL**  
WHEELS





# PACKOUT™

MODULAR STORAGE SYSTEM

## XL TOOL BOX

48-22-8429



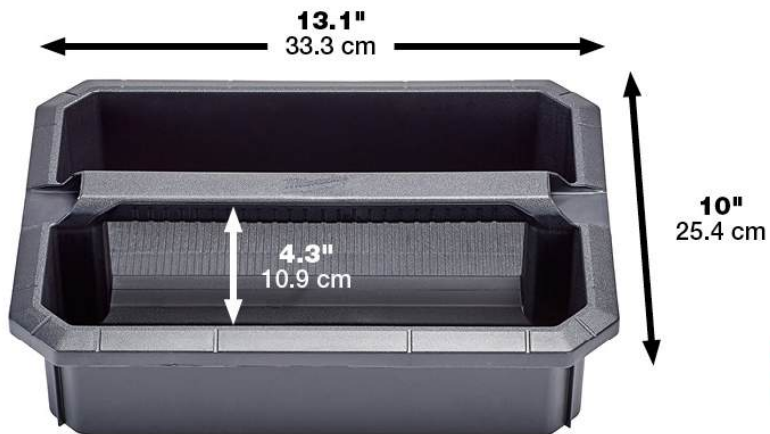
**100 LBS**  
CAPACITY



**IMPACT**  
RESISTANT  
BODY



**IP65**  
RATED  
PROTECTION





# PACKOUT™

MODULAR STORAGE SYSTEM

## LARGE TOOL BOX

48-22-8425



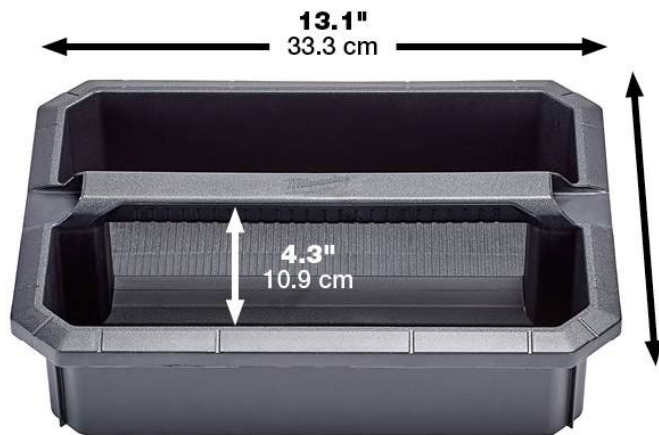
**100 LBS**  
CAPACITY



**IMPACT**  
RESISTANT  
BODY



**METAL-**  
REINFORCED  
TOP HANDLE





# PACKOUT™

MODULAR STORAGE SYSTEM

## TOOL BOX

48-22-8424



**75 LBS**  
CAPACITY



**IMPACT**  
RESISTANT  
BODY



**IP65**  
RATED  
PROTECTION





# PACKOUT™

MODULAR STORAGE SYSTEM

## TOOL CASE WITH CUSTOMIZABLE INSERT

48-22-8450



**IMPACT  
RESISTANT  
BODY**



**IP65  
RATED  
PROTECTION**



**CUSTOMIZE  
YOUR INSERT**







# PACKOUT™

MODULAR STORAGE SYSTEM

## CABINET

48-22-8445



**SECURE  
HANG OR  
STACK**



**QUICK  
ACCESS  
DOOR**



**IMPACT  
RESISTANT  
BODY**





# PACKOUT™

MODULAR STORAGE SYSTEM

## 4-DRAWER TOOL BOX

48-22-8444



**50 LBS**  
CAPACITY



**LOCKING**  
SECURITY BAR



**IMPACT**  
RESISTANT  
BODY





# PACKOUT™

MODULAR STORAGE SYSTEM

## MULTI-DEPTH 3-DRAWER TOOL BOX

48-22-8447



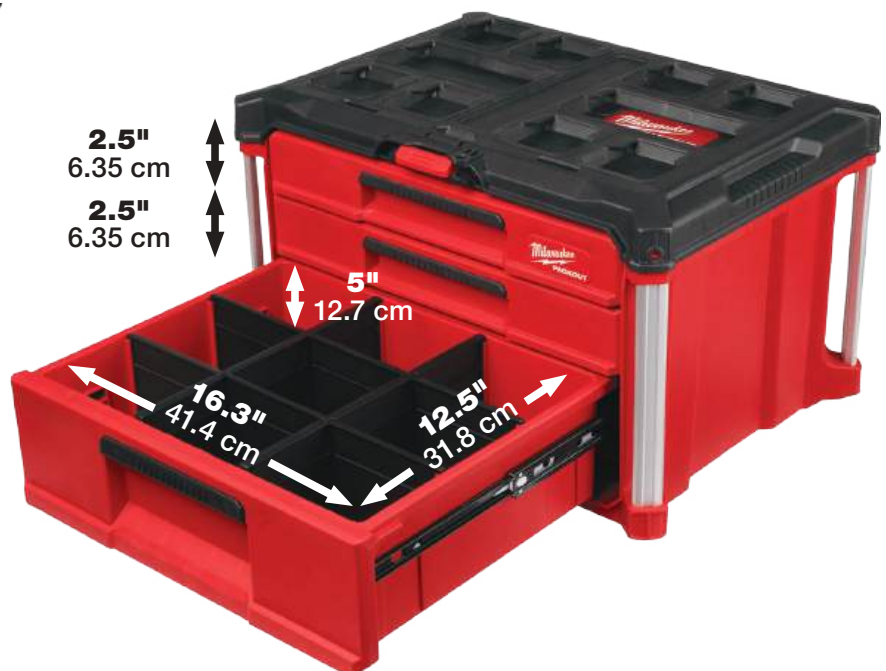
**50 LBS**  
CAPACITY



**LOCKING**  
SECURITY BAR



**IMPACT**  
RESISTANT  
BODY





# PACKOUT™

MODULAR STORAGE SYSTEM

## 3-DRAWER TOOL BOX

48-22-8443



**50 LBS**  
CAPACITY



**LOCKING**  
SECURITY BAR



**IMPACT**  
RESISTANT  
BODY





# PACKOUT™

MODULAR STORAGE SYSTEM

## 2-DRAWER TOOL BOX

48-22-8442



**50 LBS**  
CAPACITY



**LOCKING**  
SECURITY BAR



**IMPACT**  
RESISTANT  
BODY





# PACKOUT™

MODULAR STORAGE SYSTEM

## COMPACT TOOL BOX

48-22-8422



**IMPACT  
RESISTANT  
BODY**



**IP65  
RATED  
PROTECTION**



**QUICK-  
ADJUST  
DIVIDERS**





# PACKOUT™

MODULAR STORAGE SYSTEM

## CRATE

48-22-8440



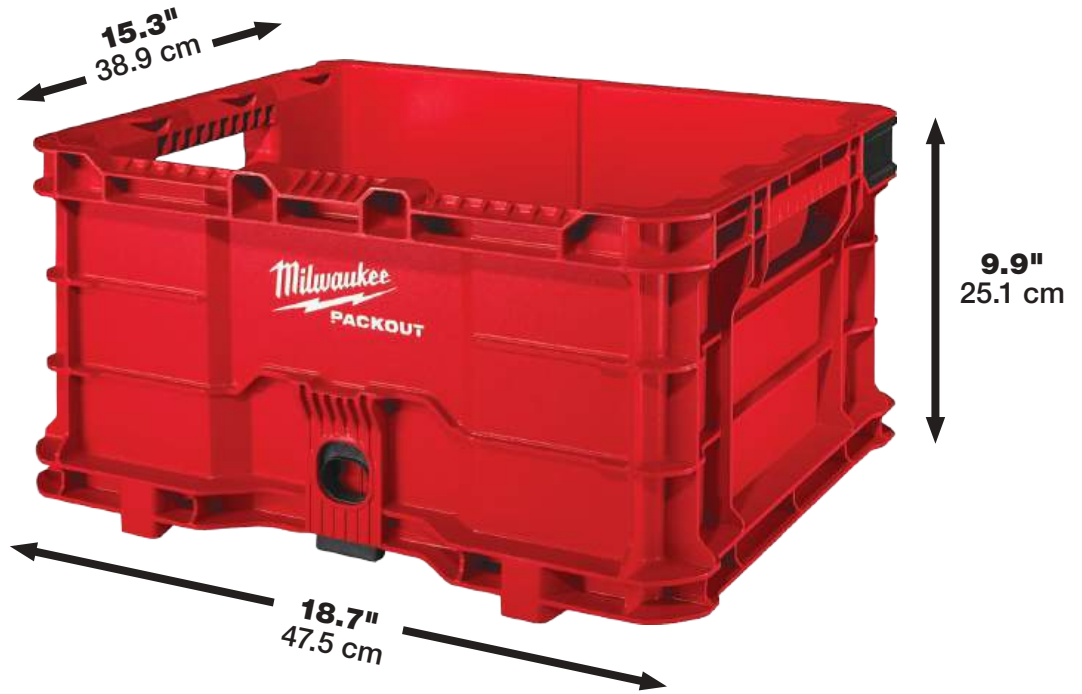
**STACK  
OR HANG**



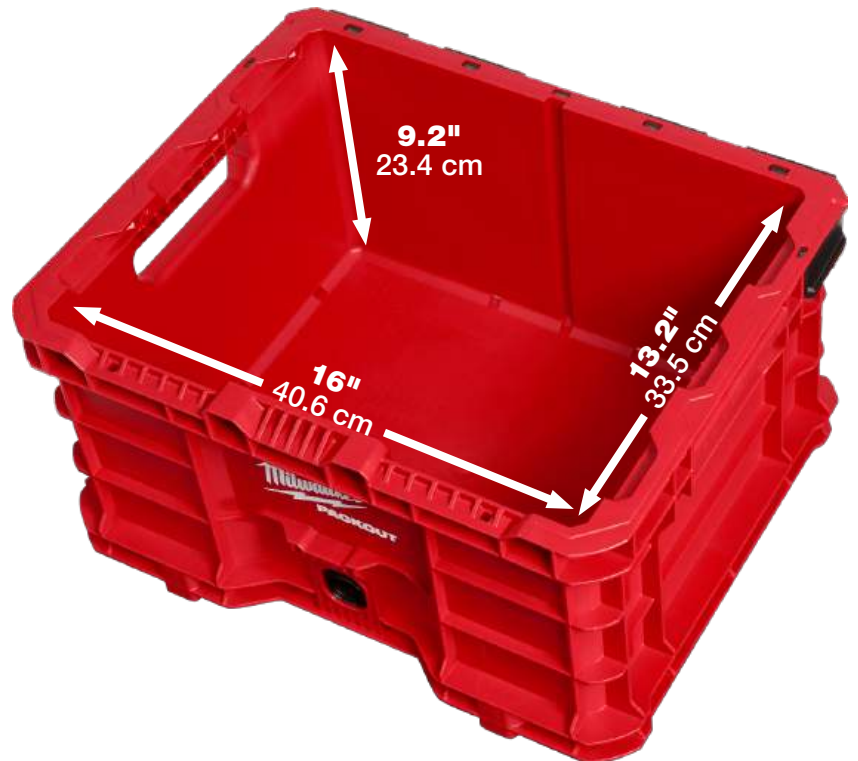
**IMPACT  
RESISTANT  
BODY**



**50 LBS  
CAPACITY**



**Divider**  
48-22-8040





# PACKOUT™

MODULAR STORAGE SYSTEM

## TOOL TRAY

48-22-8045



**STACK  
OR STORE**



**QUICK-  
ADJUST  
DIVIDERS**



**25 LBS  
CAPACITY**







# PACKOUT™

MODULAR STORAGE SYSTEM

## DEEP ORGANIZER

48-22-8432



**50 LBS**  
CAPACITY



**IP65**  
RATED  
PROTECTION



**QUICK-  
ADJUST**  
DIVIDERS





# PACKOUT™

MODULAR STORAGE SYSTEM

## ORGANIZER

48-22-8430



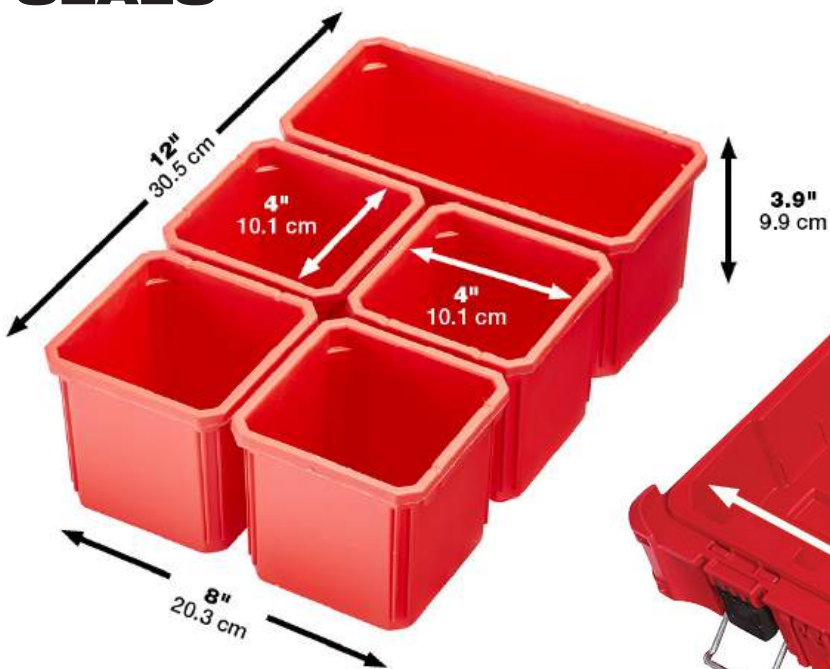
**IMPACT  
RESISTANT  
BODY**



**IP65  
RATED  
PROTECTION**



**NO-  
TRAVEL BIN  
SEALS**





# PACKOUT™

MODULAR STORAGE SYSTEM

## LOW-PROFILE ORGANIZER

48-22-8431



**IMPACT  
RESISTANT  
BODY**



**IP65  
RATED  
PROTECTION**



**NO-  
TRAVEL BIN  
SEALS**





# PACKOUT™ MODULAR STORAGE SYSTEM

## COMPACT ORGANIZER

48-22-8435



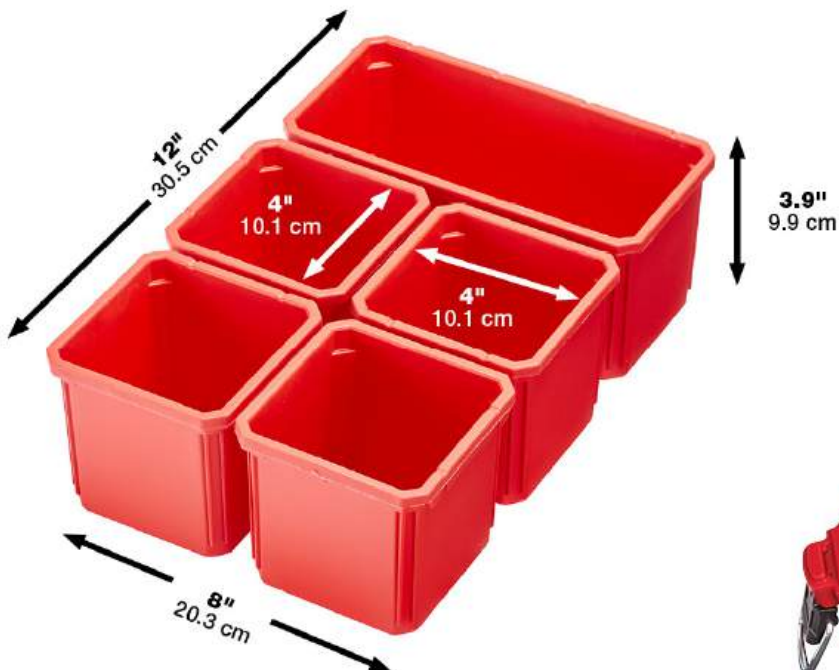
**IMPACT  
RESISTANT  
BODY**



**IP65  
RATED  
PROTECTION**



**NO-  
TRAVEL BIN  
SEALS**





# PACKOUT™ MODULAR STORAGE SYSTEM

## LOW-PROFILE COMPACT ORGANIZER

48-22-8436



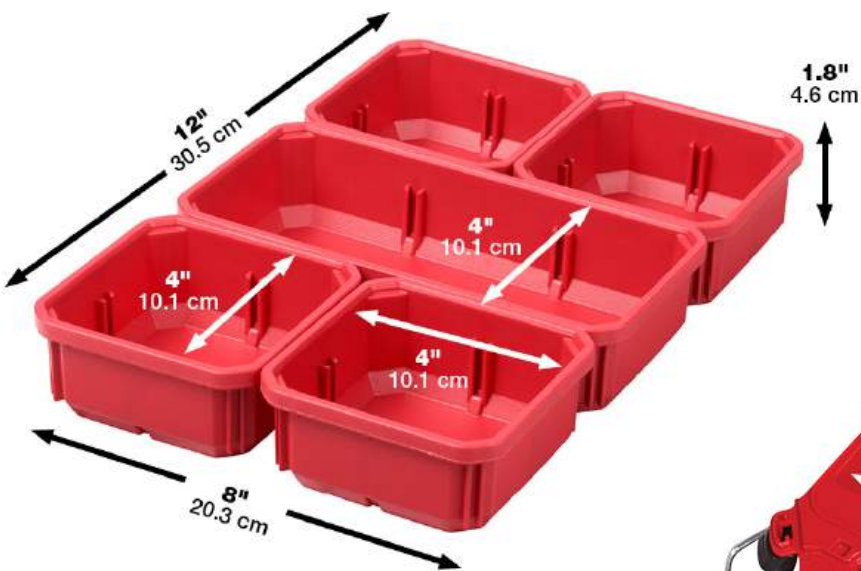
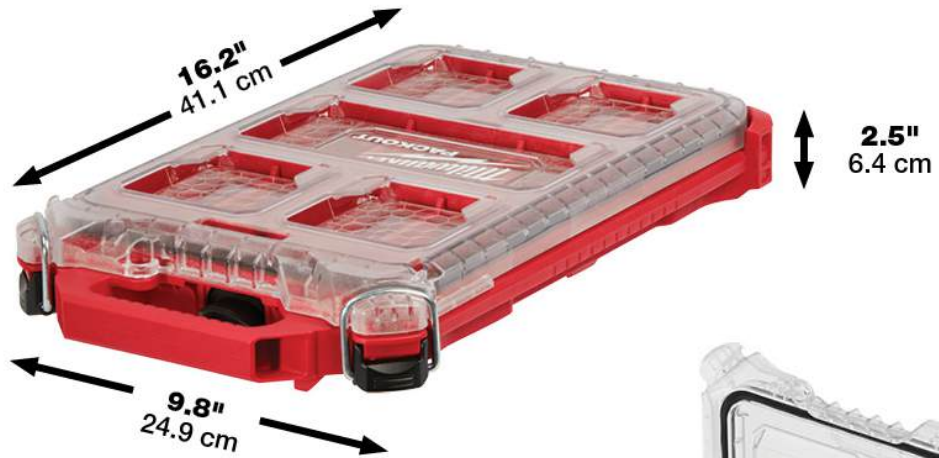
**IMPACT  
RESISTANT  
BODY**



**IP65  
RATED  
PROTECTION**



**NO-  
TRAVEL BIN  
SEALS**





# PACKOUT™

MODULAR STORAGE SYSTEM

## 10" STRUCTURED TOTE

48-22-8311



**TEAR-RESISTANT LAYERED MATERIAL**



**REINFORCED STRUCTURE HOLDS SHAPE**



**50 LBS CAPACITY**





# PACKOUT™

MODULAR STORAGE SYSTEM

## 15" STRUCTURED TOOL BAG

48-22-8316



**TEAR-RESISTANT LAYERED MATERIAL**



**REINFORCED STRUCTURE HOLDS SHAPE**



**50 LBS CAPACITY**





# PACKOUT™

MODULAR STORAGE SYSTEM

## 20" TOTE

48-22-8320



**TEAR-RESISTANT MATERIAL**



**OPTIMIZED STORAGE CAPACITY**



**ALL-METAL HARDWARE**







# PACKOUT™

MODULAR STORAGE SYSTEM

## 15" TOTE

48-22-8315



**TEAR-RESISTANT MATERIAL**



**OPTIMIZED STORAGE CAPACITY**



**ALL-METAL HARDWARE**





# PACKOUT™

MODULAR STORAGE SYSTEM

## 10" TOTE

48-22-8310



**TEAR-RESISTANT MATERIAL**



**OPTIMIZED STORAGE CAPACITY**



**ALL-METAL HARDWARE**





# PACKOUT™

MODULAR STORAGE SYSTEM

## 20" TOOL BAG

48-22-8322



**TEAR-RESISTANT MATERIAL**



**IMPACT RESISTANT BASE**



**ALL-METAL HARDWARE**





# PACKOUT™

MODULAR STORAGE SYSTEM

## 15" TOOL BAG

48-22-8321



**TEAR-RESISTANT MATERIAL**



**IMPACT RESISTANT BASE**



**ALL-METAL HARDWARE**





# PACKOUT™

MODULAR STORAGE SYSTEM

## BACKPACK

48-22-8301



**TEAR-RESISTANT MATERIAL**



**IMPACT RESISTANT BASE**



**OPTIMIZED STORAGE CAPACITY**





# PACKOUT™

MODULAR STORAGE SYSTEM

## TECH BAG

48-22-8300



**TEAR-RESISTANT MATERIAL**



**IMPACT RESISTANT BASE**



**OPTIMIZED STORAGE CAPACITY**





# PACKOUT™ MODULAR STORAGE SYSTEM

## TUMBLERS



**PACKOUT™  
CONNECTIVITY  
TWIST TO LOCK**



**ALL-DAY  
HOT & COLD  
RETENTION**



**SMOOTH  
OPEN &  
CLOSE**

4"  
10.2 cm



8.5"  
21.6 cm

3"  
7.6 cm

**30oz Tumbler - Red**  
48-22-8393R

3.5"  
8.9 cm



7.5"  
19.1 cm

3"  
7.6 cm

**20oz Tumbler - Red**  
48-22-8392R

4"  
10.2 cm



8.5"  
21.6 cm

3"  
7.6 cm

**30oz Tumbler - Black**  
48-22-8393B

3.5"  
8.9 cm



7.5"  
19.1 cm

3"  
7.6 cm

**20oz Tumbler - Black**  
48-22-8392B



# PACKOUT™

MODULAR STORAGE SYSTEM

## 40QT XL COOLER

48-22-8462



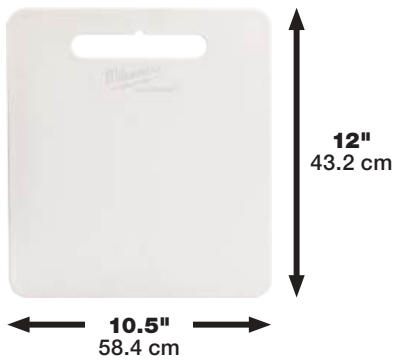
**HOLDS  
ICE FOR  
5 DAYS**



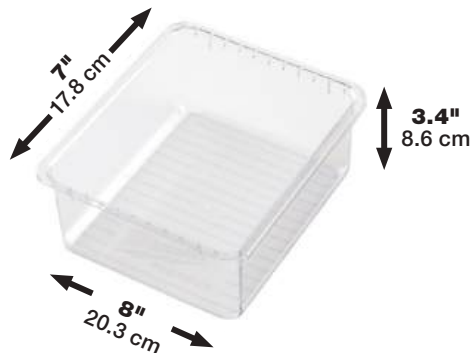
**IMPACT  
RESISTANT  
BODY**



**IP65  
RATED  
PROTECTION**



**Divider**  
48-22-8041







# PACKOUT™

MODULAR STORAGE SYSTEM

## 16QT COMPACT COOLER

48-22-8460



**HOLDS  
ICE FOR  
30  
HRS**



**IMPACT  
RESISTANT  
BODY**



**IP65  
RATED  
PROTECTION**





# PACKOUT™

MODULAR STORAGE SYSTEM

## COOLER

48-22-8302



**HOLDS  
ICE FOR  
24 HRS**



**IMPACT  
RESISTANT  
BASE**



**ALL-  
METAL  
HARDWARE**





# PACKOUT™

MODULAR STORAGE SYSTEM

## LARGE WALL PLATE

48-22-8487



**QUICK  
ALIGNMENT  
TABS**



**METAL-  
REINFORCED  
MOUNTING  
POINTS**



**150 LBS  
WALL MOUNTED  
CAPACITY**





# PACKOUT™

MODULAR STORAGE SYSTEM

## COMPACT WALL PLATE

48-22-8486



**QUICK  
ALIGNMENT  
TABS**



**METAL-  
REINFORCED  
MOUNTING  
POINTS**



**50 LBS  
WALL MOUNTED  
CAPACITY**





# PACKOUT™

MODULAR STORAGE SYSTEM

## MOUNTING PLATE

48-22-8485



**WALL &  
FLOOR  
MOUNTING**



**50 LBS  
WALL MOUNTED  
CAPACITY**



**METAL-  
REINFORCED  
MOUNTING  
POINTS**





# PACKOUT™

MODULAR STORAGE SYSTEM

## RACKING KIT

48-22-8480



**VERSATILE MOUNTING**  
E-TRACK  
COMPATIBLE



**50 LBS**  
CAPACITY



**METAL-REINFORCED FRAME**





# PACKOUT™

MODULAR STORAGE SYSTEM

## CUSTOMIZABLE WORK TOP

48-22-8488



**FASTENER-READY**  
MOUNTING SURFACE



**50 LBS**  
CAPACITY



**IMPACT**  
RESISTANT  
BODY





# PACKOUT™

MODULAR STORAGE SYSTEM

## RACKING SHELF

48-22-8481



**VERSATILE MOUNTING**  
E-TRACK  
COMPATIBLE



**50 LBS**  
CAPACITY



**METAL-REINFORCED FRAME**







# PACKOUT™

MODULAR STORAGE SYSTEM

## HOOKS



**MOST  
SECURE  
MOUNTING**



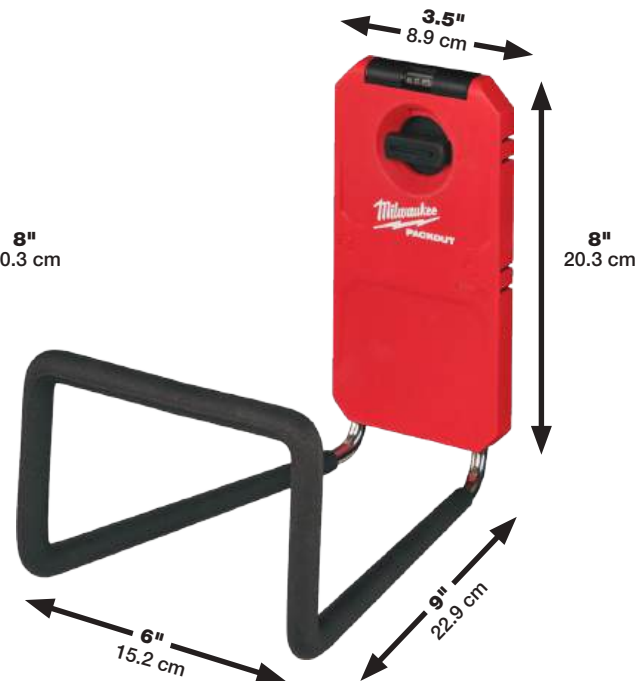
**REINFORCED  
HOOK  
MAINTAINS SHAPE**



**FULLY  
CUSTOMIZE  
YOUR SHOP**



**9" Straight Hook**  
48-22-8330



**Wide Hook**  
48-22-8332



**6" Curved Hook**  
48-22-8331



**4" S-Hook**  
48-22-8333



# PACKOUT™

MODULAR STORAGE SYSTEM

## HOOKS



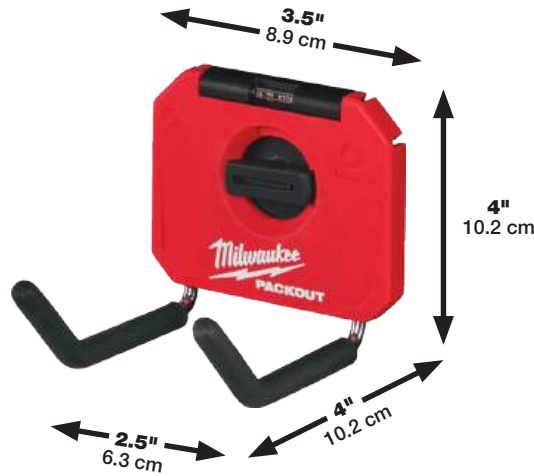
**MOST  
SECURE  
MOUNTING**



**REINFORCED  
HOOK  
MAINTAINS SHAPE**



**FULLY  
CUSTOMIZE  
YOUR SHOP**



**4" Straight Hook**  
48-22-8334



**3" Curved Hook**  
48-22-8335



**4" Single Straight Hook**  
48-22-8328



**7-Hook Rack**  
48-22-8329



# PACKOUT™

MODULAR STORAGE SYSTEM

## TOOL STATION

48-22-8343



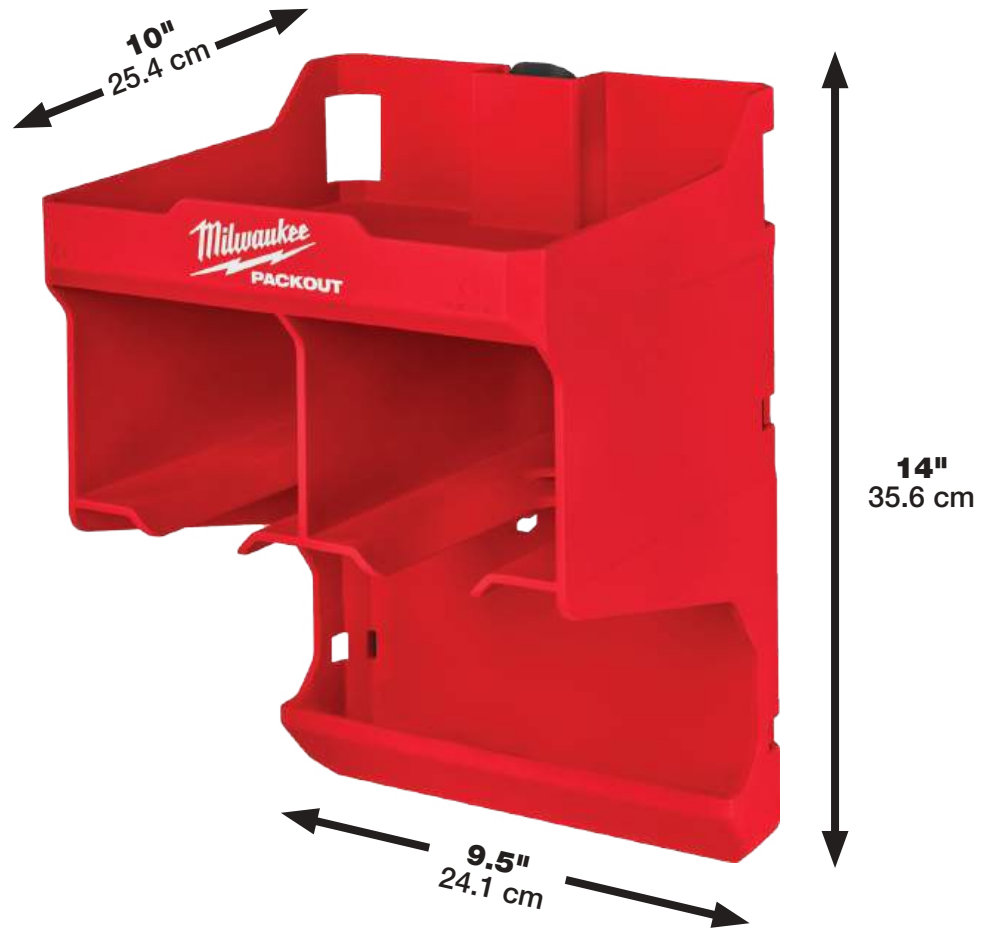
**MOST  
SECURE  
MOUNTING**



**QUICK  
ACCESS  
TOOL SLOTS**



**IMPACT  
RESISTANT  
BODY**





# PACKOUT™

MODULAR STORAGE SYSTEM

## LONG HANDLE TOOL RACK

48-22-8349



**MOST  
SECURE  
MOUNTING**



**QUICK  
ACCESS  
TOOL CLAMPS**



**ANTI-SLIP  
RUBBER  
GRIPS**





# PACKOUT™

MODULAR STORAGE SYSTEM

## LONG HANDLE TOOL HOLDER

48-22-8348



**MOST  
SECURE  
MOUNTING**



**QUICK  
ACCESS  
TOOL CLAMPS**



**ANTI-SLIP  
RUBBER  
GRIPS**





# PACKOUT™

MODULAR STORAGE SYSTEM

## M18™ BATTERY RACK

48-22-8339



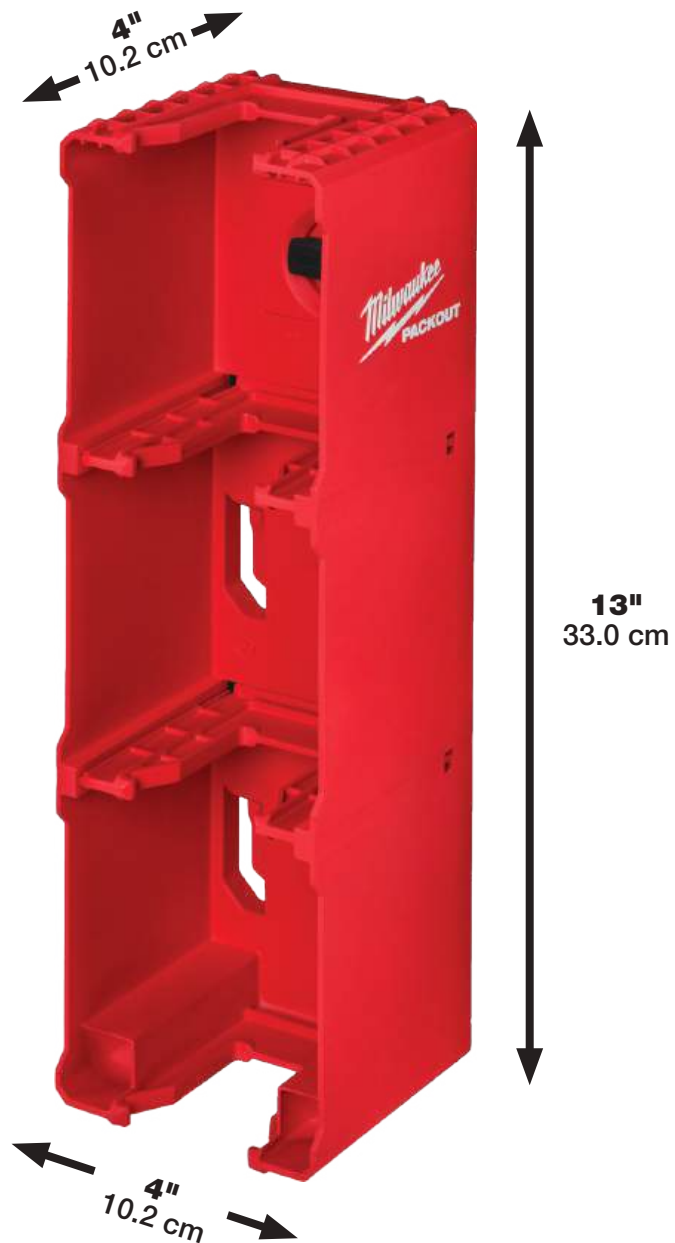
**MOST  
SECURE  
MOUNTING**



**CLIP-IN  
BATTERY  
STORAGE**



**FULLY  
CUSTOMIZE  
YOUR SHOP**





# PACKOUT™

MODULAR STORAGE SYSTEM

## M12™ BATTERY RACK

48-22-8338



**MOST  
SECURE  
MOUNTING**



**CLIP-IN  
BATTERY  
STORAGE**



**FULLY  
CUSTOMIZE  
YOUR SHOP**





# PACKOUT™

MODULAR STORAGE SYSTEM

## TOOL RACK

48-22-8340



**MOST  
SECURE  
MOUNTING**



**QUICK  
ACCESS  
BARS**



**FULLY  
CUSTOMIZE  
YOUR SHOP**







# PACKOUT™

MODULAR STORAGE SYSTEM

## SCREWDRIVER RACK

48-22-8341



**MOST  
SECURE  
MOUNTING**



**34  
MULTI-SIZE  
SLOTS**



**FULLY  
CUSTOMIZE  
YOUR SHOP**





# PACKOUT™

MODULAR STORAGE SYSTEM

## MAGNETIC RACK

48-22-8346



**MOST  
SECURE  
MOUNTING**



**3  
MAGNETIC  
FACES**



**QUICK  
ACCESS  
ORGANIZATION**

4"  
10.2 cm



9.5"  
24.1 cm

3.5"  
8.9 cm



# PACKOUT™

MODULAR STORAGE SYSTEM

## BELT CLIP RACK

48-22-8344



**MOST  
SECURE  
MOUNTING**



**REINFORCED  
RACK  
MAINTAINS SHAPE**



**QUICK  
ACCESS  
ORGANIZATION**

1.3"  
3.3 cm



3.5"  
8.9 cm

9.5"  
24.1 cm



# PACKOUT™

MODULAR STORAGE SYSTEM

## ROLL HOLDER

48-22-8337



**MOST  
SECURE  
MOUNTING**



**QUICK  
ROLL REPLACEMENT  
LATCH**



**FULLY  
CUSTOMIZE  
YOUR SHOP**





# PACKOUT™

MODULAR STORAGE SYSTEM

## COMPACT SHELF

48-22-8347



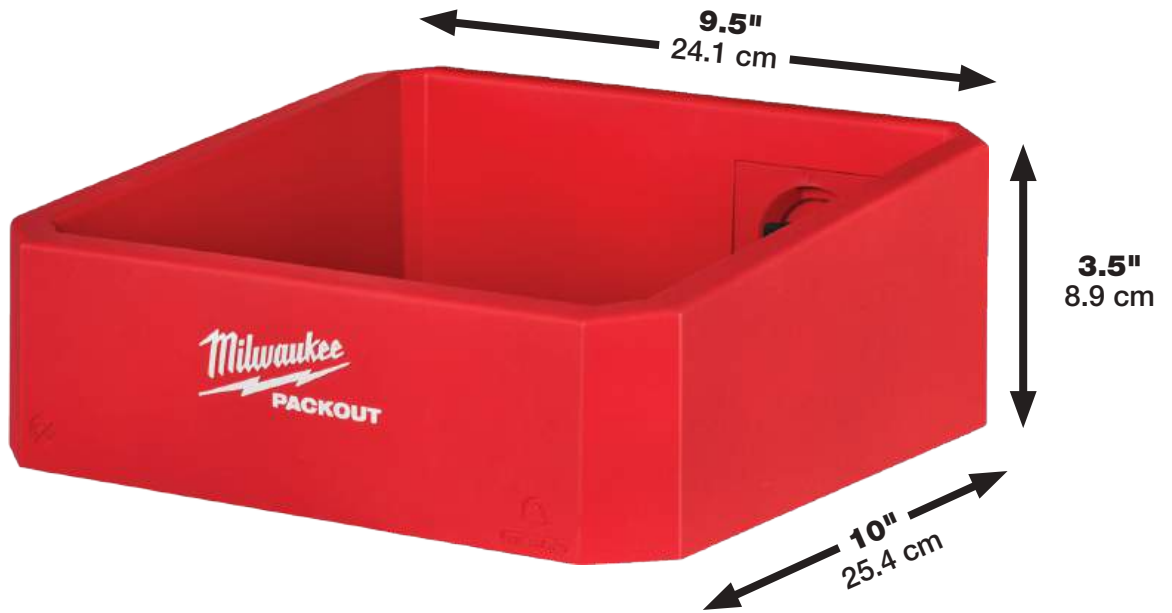
**MOST  
SECURE  
MOUNTING**



**20 LBS  
CAPACITY**



**FULLY  
CUSTOMIZE  
YOUR SHOP**





# PACKOUT™

MODULAR STORAGE SYSTEM

## COMPACT WALL BASKET

48-22-8342



**MOST  
SECURE  
MOUNTING**



**QUICK  
ACCESS  
OPENING**



**FULLY  
CUSTOMIZE  
YOUR SHOP**





# PACKOUT™

MODULAR STORAGE SYSTEM

## ORGANIZER CUP

48-22-8336



**MOST  
SECURE  
MOUNTING**



**QUICK  
ACCESS  
ORGANIZATION**



**FULLY  
CUSTOMIZE  
YOUR SHOP**





# PACKOUT™ MODULAR STORAGE SYSTEM

## MAGNETIC BINS



**HANG  
OR  
STORE**



**QUICK  
ACCESS  
MAGNETIC DISH**



**NON-  
MARRING  
MAGNETIC BASE**

2"  
5.1 cm



8"  
20.3 cm

4"  
10.2 cm

**Large Magnetic Bin**  
48-22-8071

2"  
5.1 cm



4"  
10.2 cm

4"  
10.2 cm

**Magnetic Bin**  
48-22-8070





# PACKOUT™

MODULAR STORAGE SYSTEM

## 2 PK LARGE BIN SET

48-22-8063



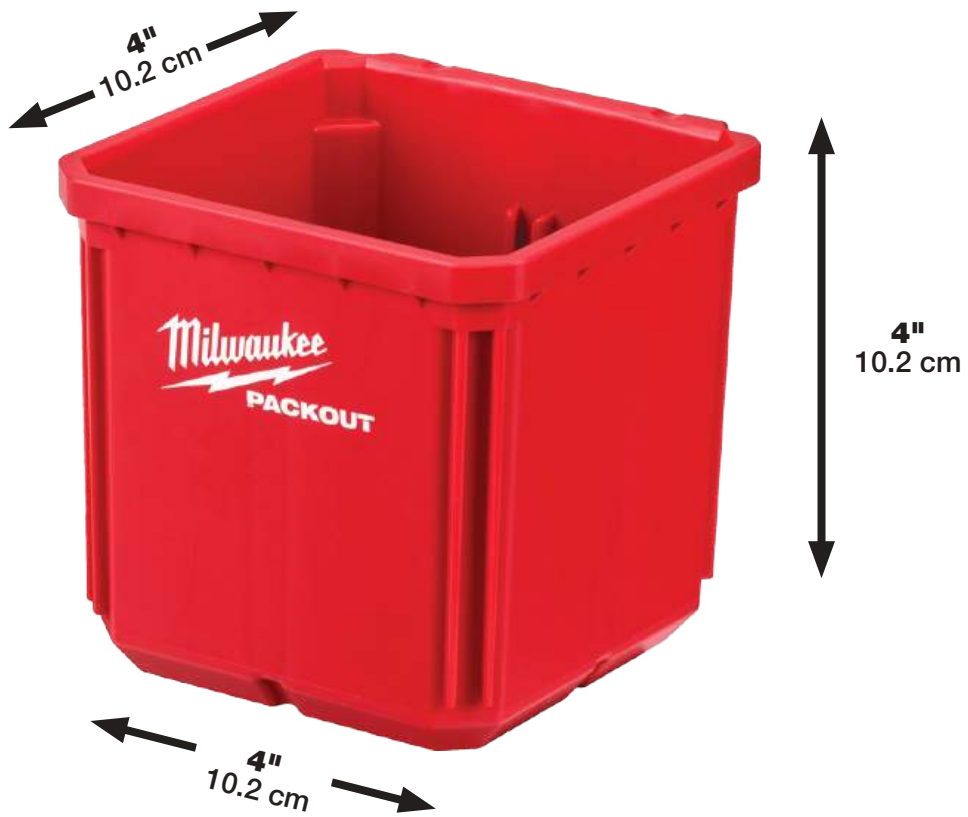


# PACKOUT™

MODULAR STORAGE SYSTEM

## 2 PK BIN SET

48-22-8062





# PACKOUT™

MODULAR STORAGE SYSTEM

## M12 FLOOD LIGHT w/ USB CHARGING

2356-20

**TRUEVIEW™**  
HIGH DEFINITION OUTPUT





# PACKOUT™ MODULAR STORAGE SYSTEM

## **M18** SIX BAY RAPID CHARGER

48-59-1809

**TRUEVIEW™**  
HIGH DEFINITION OUTPUT





# PACKOUT™ MODULAR STORAGE SYSTEM

## M18 RADIO + CHARGER

2950-20





# PACKOUT™

MODULAR STORAGE SYSTEM

## **M18** LIGHT/CHARGER

2357-20

**TRUEVIEW™**  
HIGH DEFINITION OUTPUT





# PACKOUT™ MODULAR STORAGE SYSTEM

## M18 FUEL 2.5 GAL WET/DRY VACUUM

0970-20

